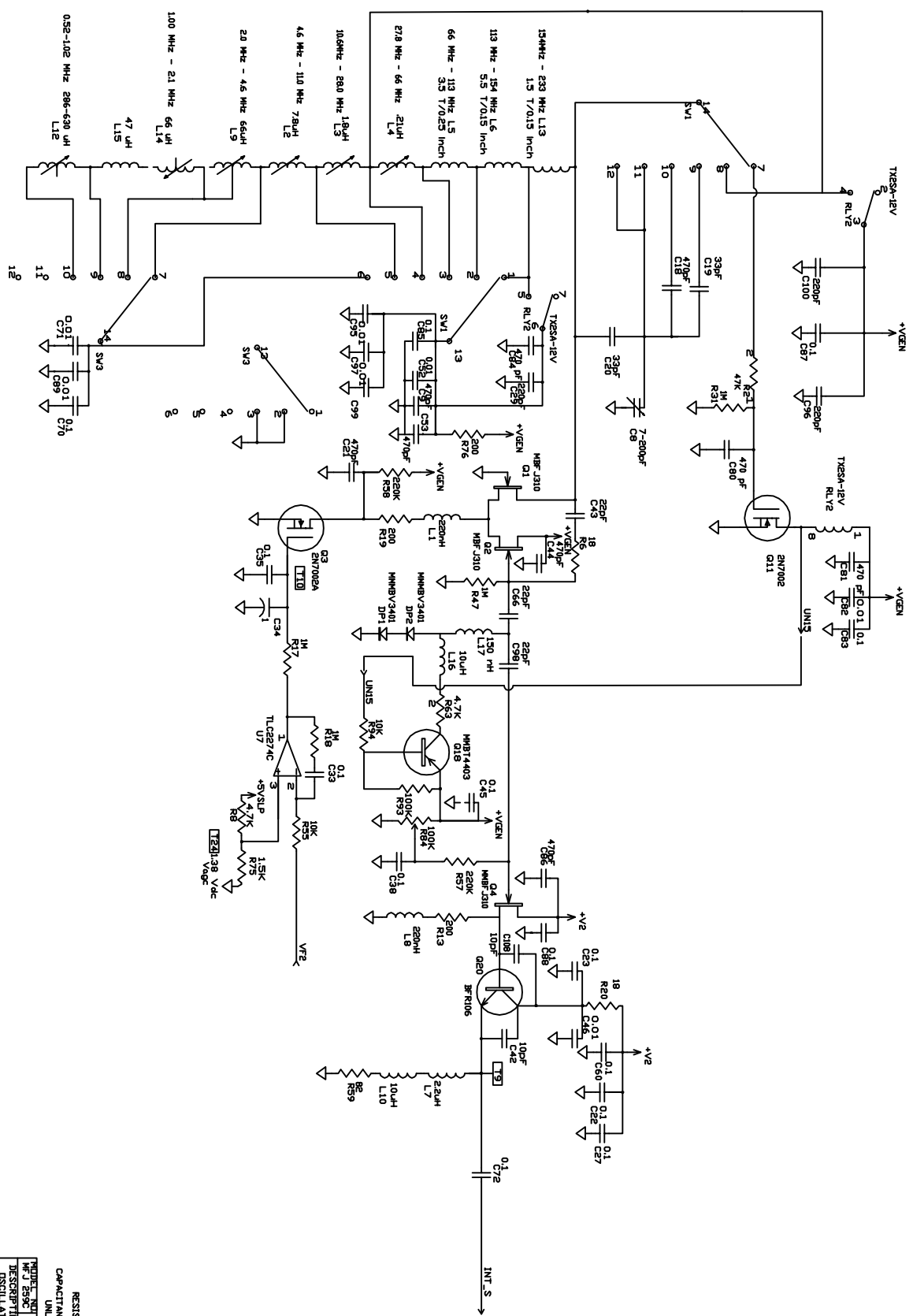


RESISTANCE VALUES ARE IN OHMS
CAPACITANCE VALUES ARE IN MICROFARADS
UNLESS OTHERWISE SPECIFIED

DATE	PC BOARD	BY	REV
01/13			1
REVISION	DESCRIPTION	DATE	BY
1	MICROCONTROLLER/ E. SWITCHES	06-16-93	EV

SHEET 1 OF 2

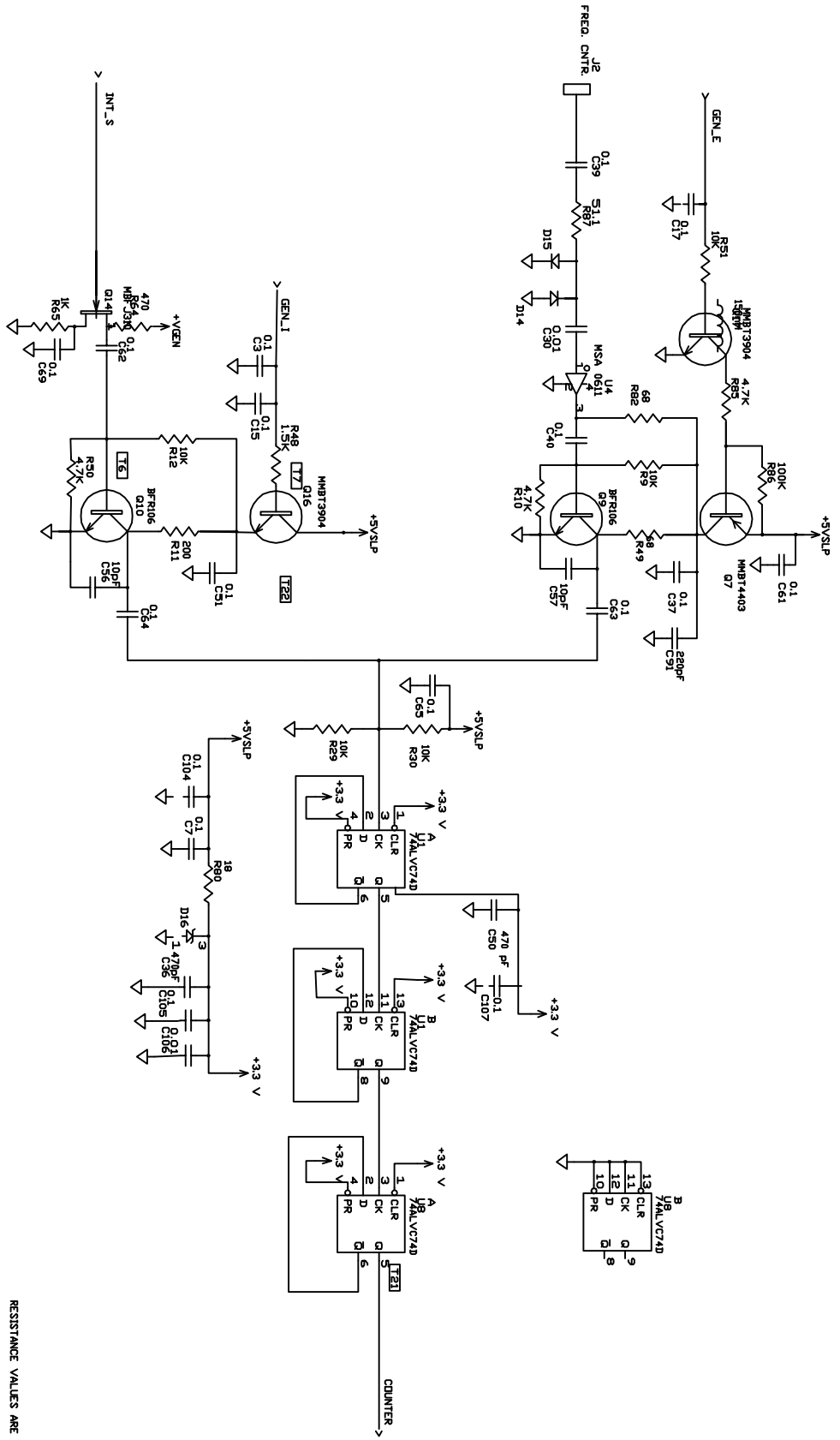
PC BOARD
BY J. ENTERPRISES, INC.
800 INDUSTRIAL PARK RD.
STARKVILLE, MS 39759



RESISTANCE VALUES ARE IN OHMS
CAPACITANCE VALUES ARE IN MICROFARADS
UNLESS OTHERWISE SPECIFIED

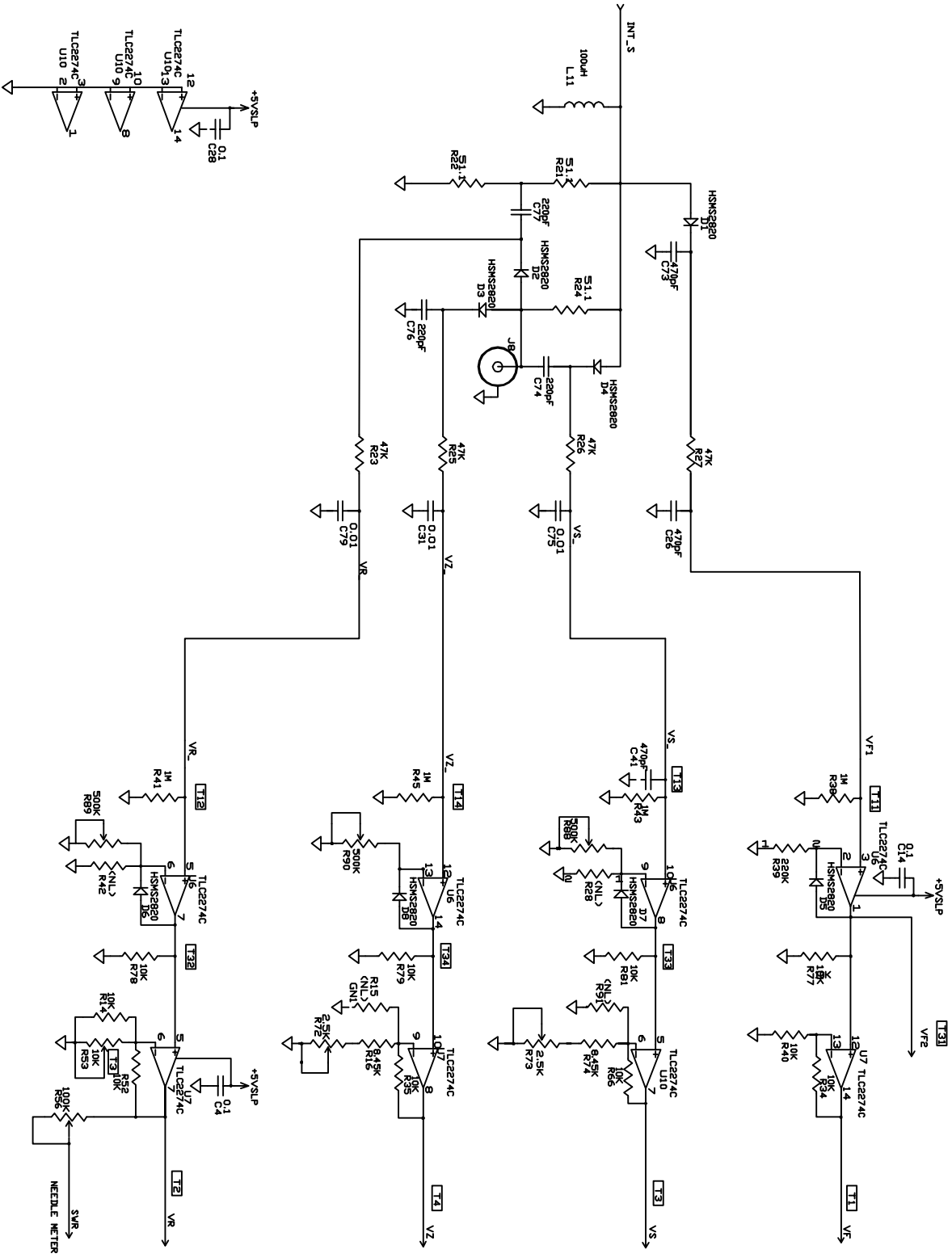
DATE	REV.	DESCRIPTION
10/10/13	1	OSCILLATOR, BUFFER, AMPLIFIER
REVISION	DATE	DESCRIPTION
1	10/10/13	OSCILLATOR, BUFFER, AMPLIFIER

PC BOARD
J. ENTERPRISES, INC.
300 INDUSTRIAL PARK RD.
STARKVILLE, MS 39759



RESISTANCE VALUES ARE IN OHMS
 CAPACITANCE VALUES ARE IN MICROFARADS
 UNLESS OTHERWISE SPECIFIED

DATE	7/17/13	PC BOARD	HF J ENTERPRISES INC.
PROJECT	NOT REV	PART NO.	862-0259C
DESCRIPTION	6	SHEET	3 OF 4
REVISED		DRAWN BY	317KAVILLE MS 37739



RESISTANCE VALUES ARE IN OHMS
 CAPACITANCE VALUES ARE IN MICROFARADS
 UNLESS OTHERWISE SPECIFIED

PROJECT NO. 6
 REV. 1
 PART NO. 862-0259C
 SHEET 4 OF 4

DESCRIPTION
 BRIDGE, VOLTAGES

DATE: 7/17/13
 DRAWN BY: J. BARKER
 CHECKED BY: J. BARKER
 APPROVED BY: J. BARKER
 300 INDUSTRIAL PARK RD
 STINKVILLE MS 39759